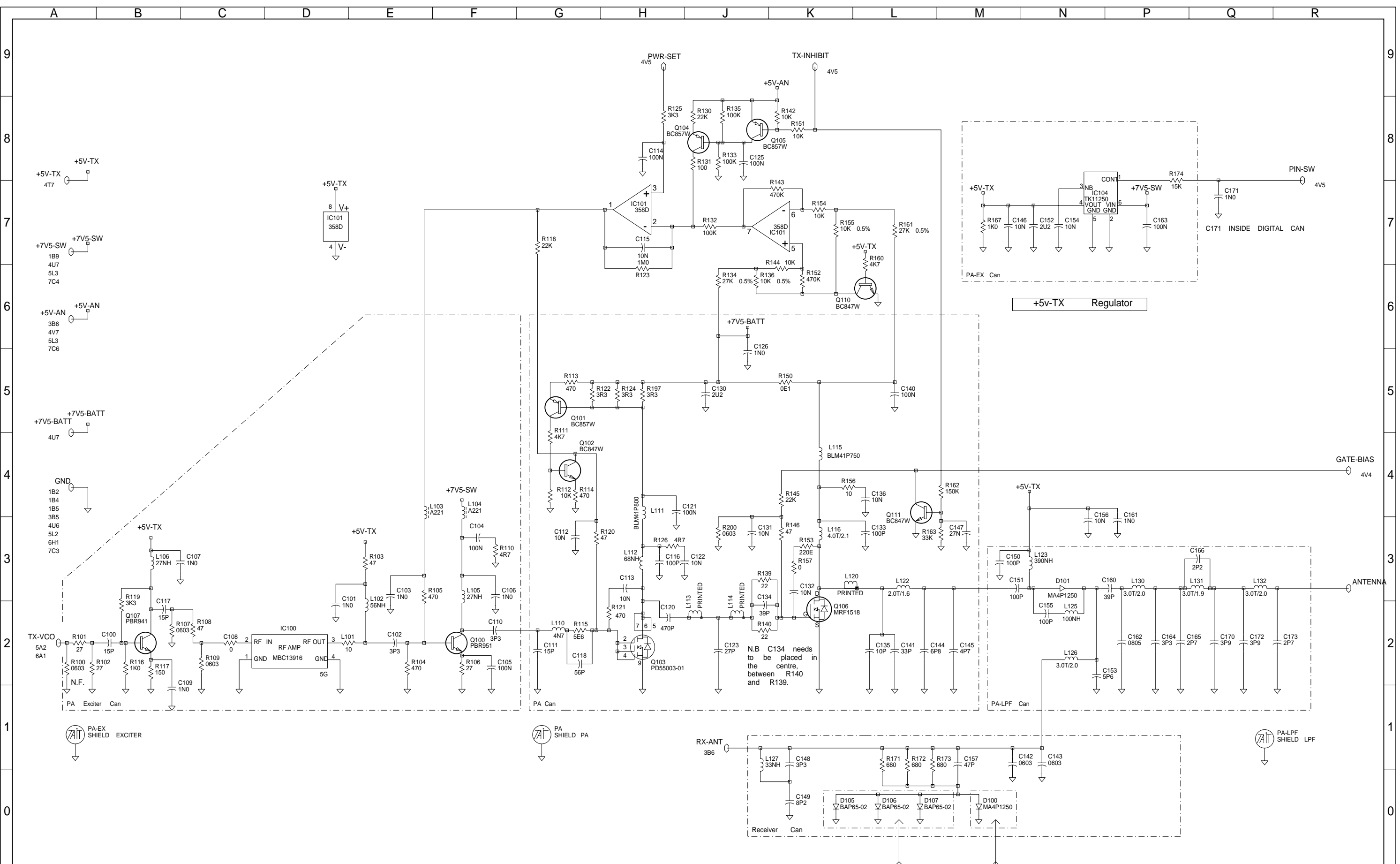


06C	ECO 50 1650 VALUES UPDATED	BRD			23-08-02	
06B	ECO 50 1650 VALUES UPDATED	BRD			22-08-02	
06A	DCO NO. 1624-008	BRD			07-05-02	
05A	CCO NO. 1624-007	BRD			29-03-01	
04A	CCO. NO. 1624-006	BRD			20-03-01	
03B	CCO NO 1624-005	CJK			08-06-00	
03A	ECO NO 50 0788	CJK	JJ		29-05-00	
02A	CCO NO.1624-004 AMP CHANGES	TS			16-12-99	
01A	INITIAL DES CCO 1624/001 002 003	BRD	JJ	CK	GR	25/11/99
REV/ISS	AMENDMENTS	DRAWN	CHKD	D.O.	APVD	DATE

06H	ECO 10320 0031 VALUE CHANGES	BRD			24-01-03
06G	PLC GENERATED	BRD			22-01-03
06F	CREATED POSTSCRIPTS OF SCHEMS	BRD			16-12-02
06E	ECO 103200012 PA VALUE CHANGES	BRD			11-12-02
06D	NEW PASTE GENERATED	BRD			04-09-02

© TAIT ELECTRONICS
 TAIT ORCA : 450-530 MHZ
 SYSTEM DIAGRAM

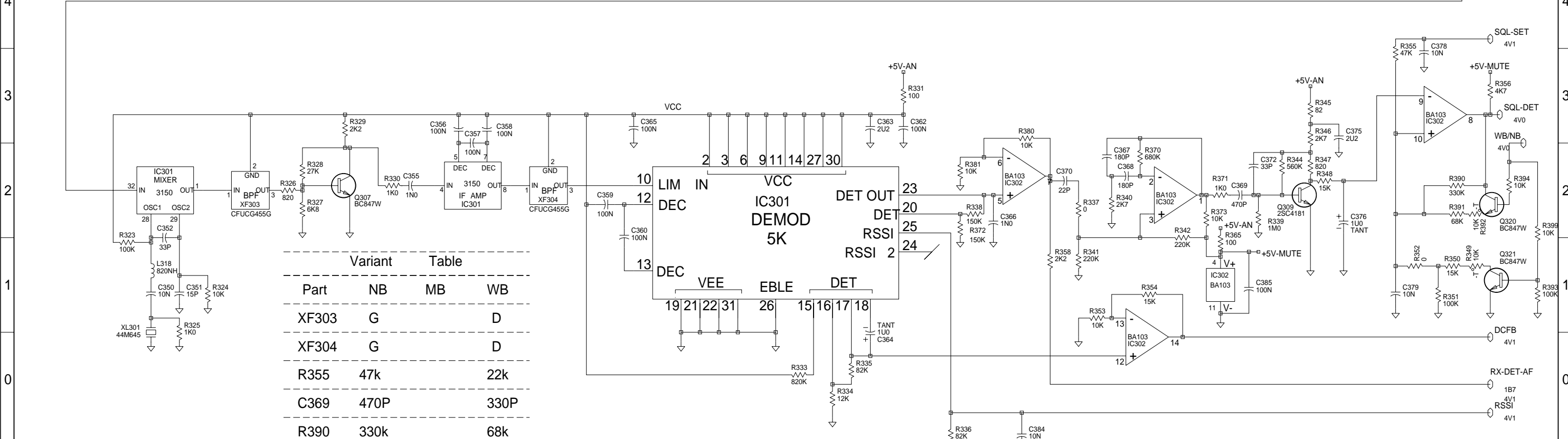
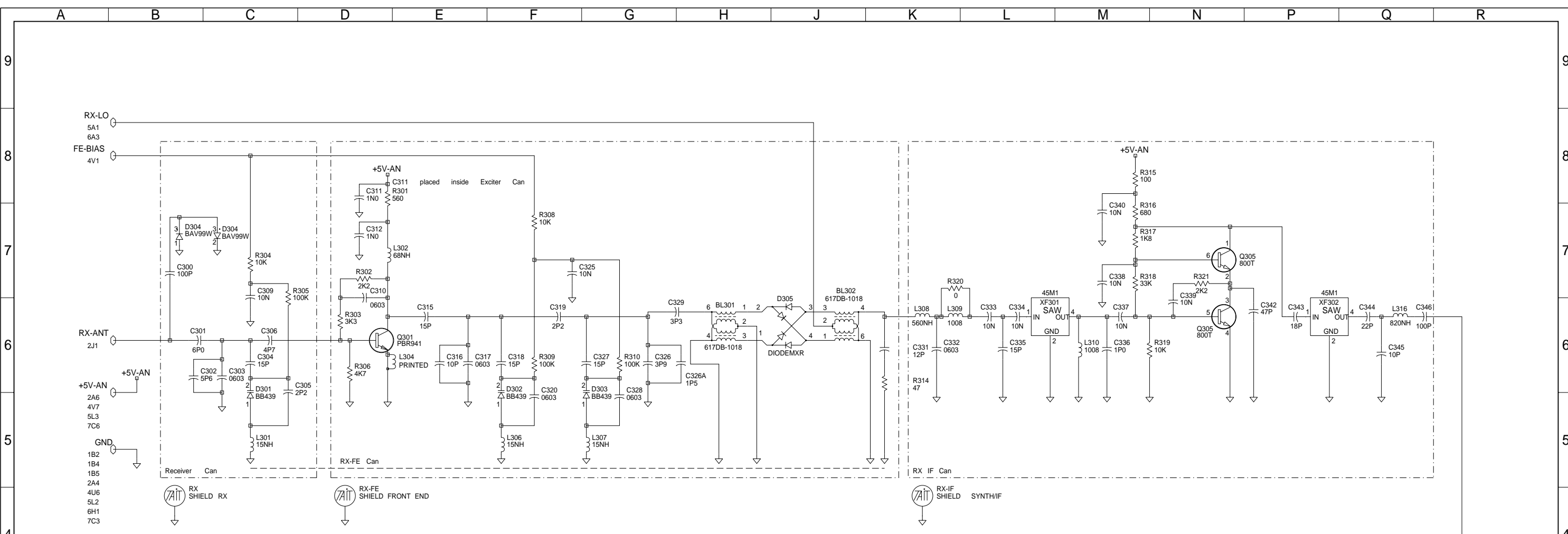
PROJECT: 220-01624-06
 DESIGNER: ORCA
 FILE NAME: 162400h
 FILE DATE: 24-Jan-03
 ISSUE: H
 ID: 2.SC. 1
 NO.SHEETS: 7

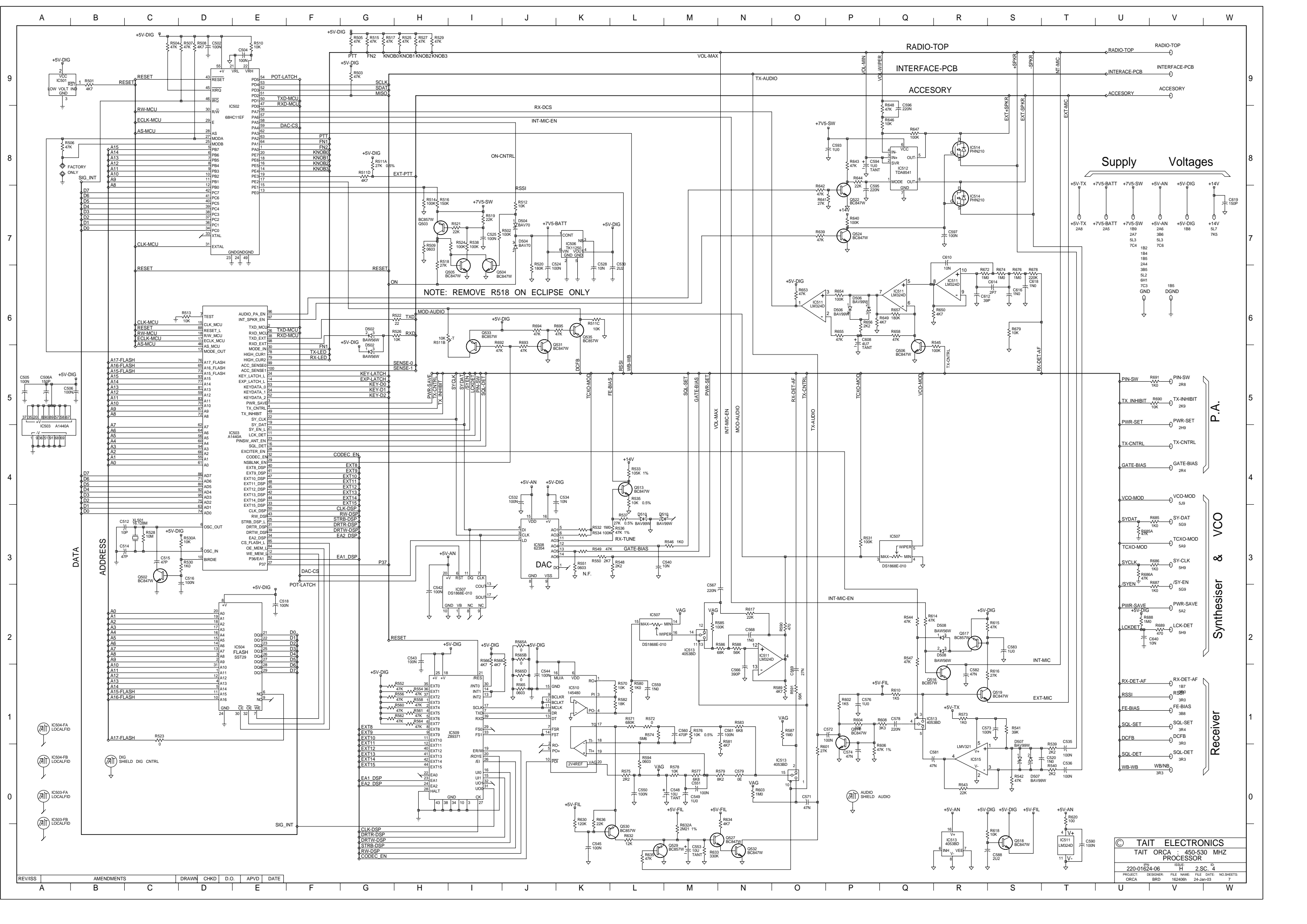


DUAL PLACEMENT Place Either Or
Place D105, D106, D107 or Only D100

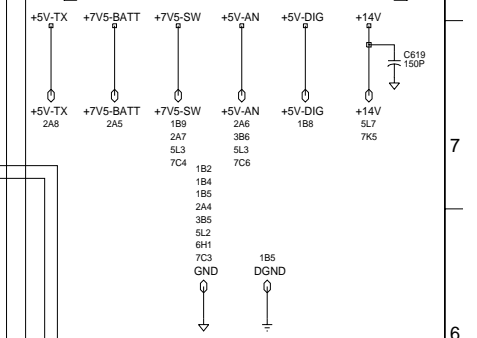
© TAIT ELECTRONICS	
TAIT ORCA : 450-530 MHZ POWER AMPLIFIER	
IPN: 220-01624-06	ISSUE: H 2.S.C. 2
PROJECT: ORCA	DESIGNER: BRD
FILE NAME: 162406h	FILE DATE: 24-Jan-03
NO. SHEETS: 7	

02A	CCO NO.1624-004	AMP CHANGES	TS		16-12-99
REV/ISS	AMENDMENTS		DRAWN	CHKD	DATE





Supply Voltages

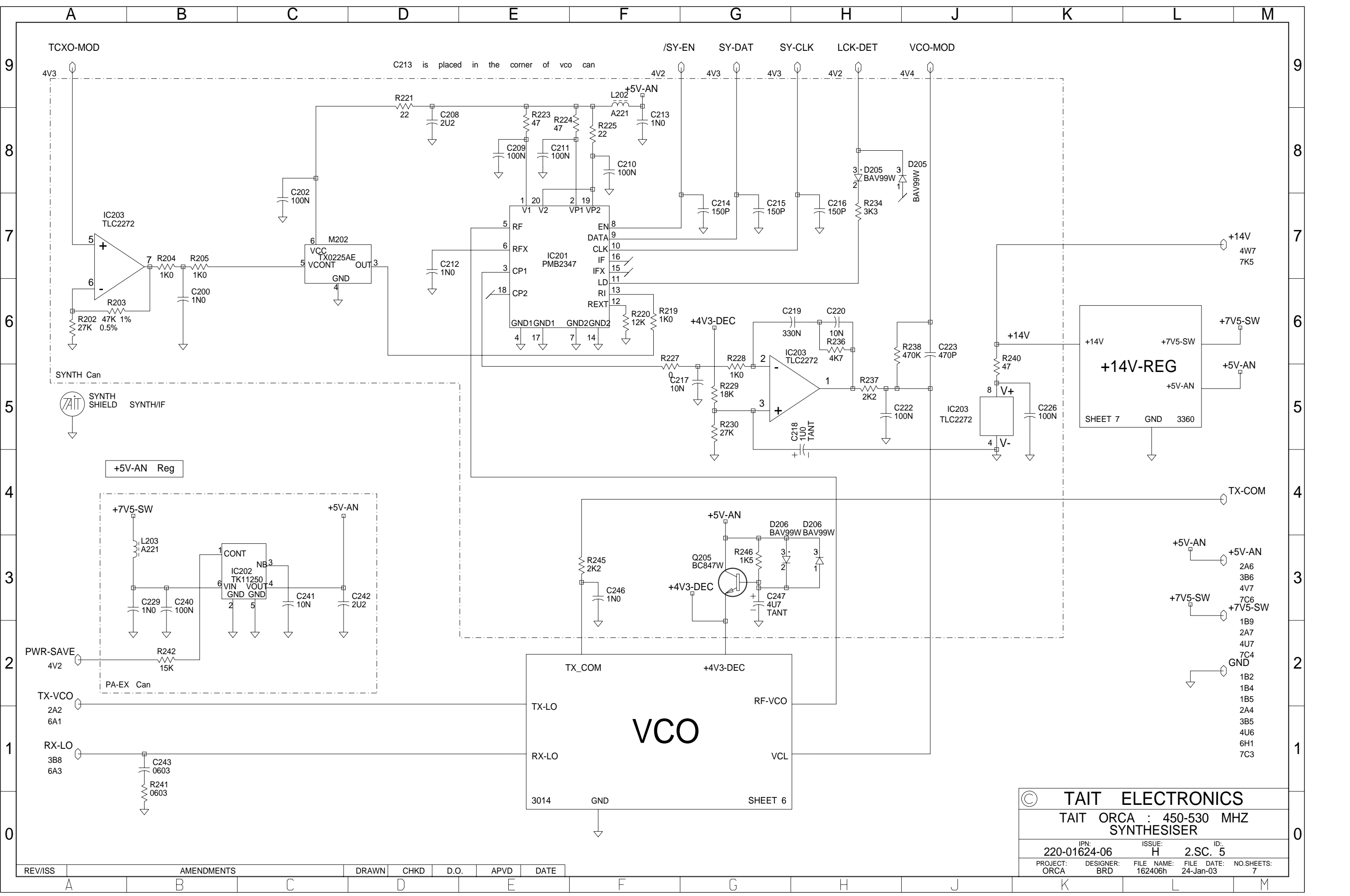


P.A.

Synthesiser & VCO

Receiver

© TAIT ELECTRONICS
 TAIT ORCA - 450-530 MHZ
 PROCESSOR
 220-01624-06
 ORCA

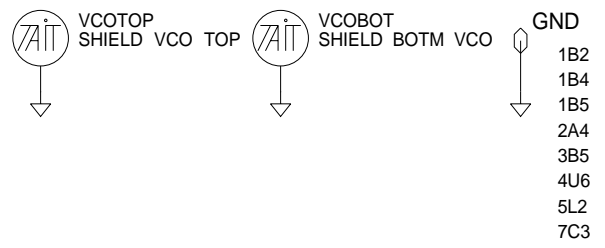
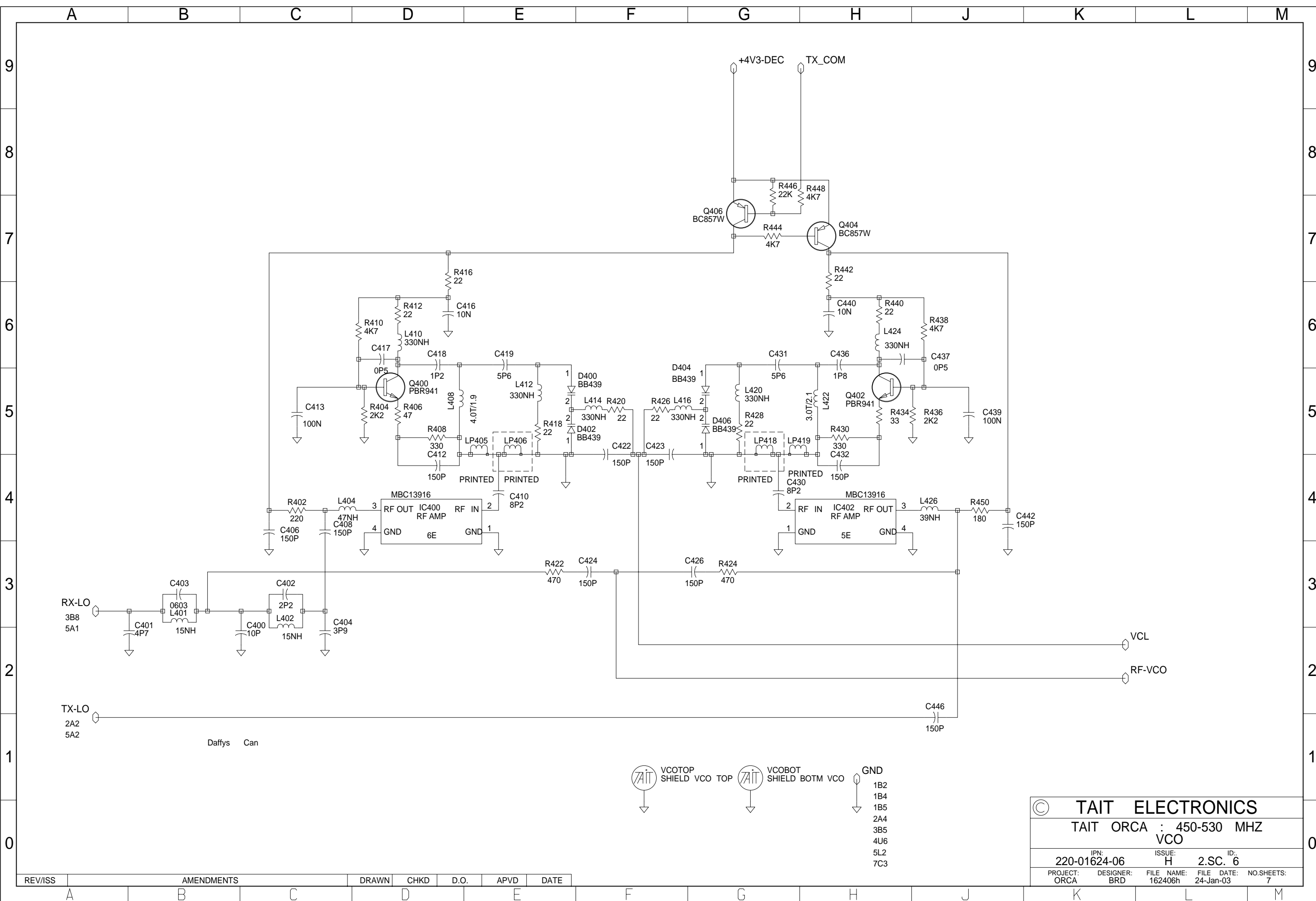


REV/ISS	A	B	C	D	E	F	G	H	J	K	L	M

© TAIT ELECTRONICS
 TAIT ORCA : 450-530 MHZ SYNTHESISER

IPN: 220-01624-06	ISSUE: H	ID: 2.S.C. 5
PROJECT: ORCA	DESIGNER: BRD	FILE NAME: 162406h
	FILE DATE: 24-Jan-03	NO. SHEETS: 7

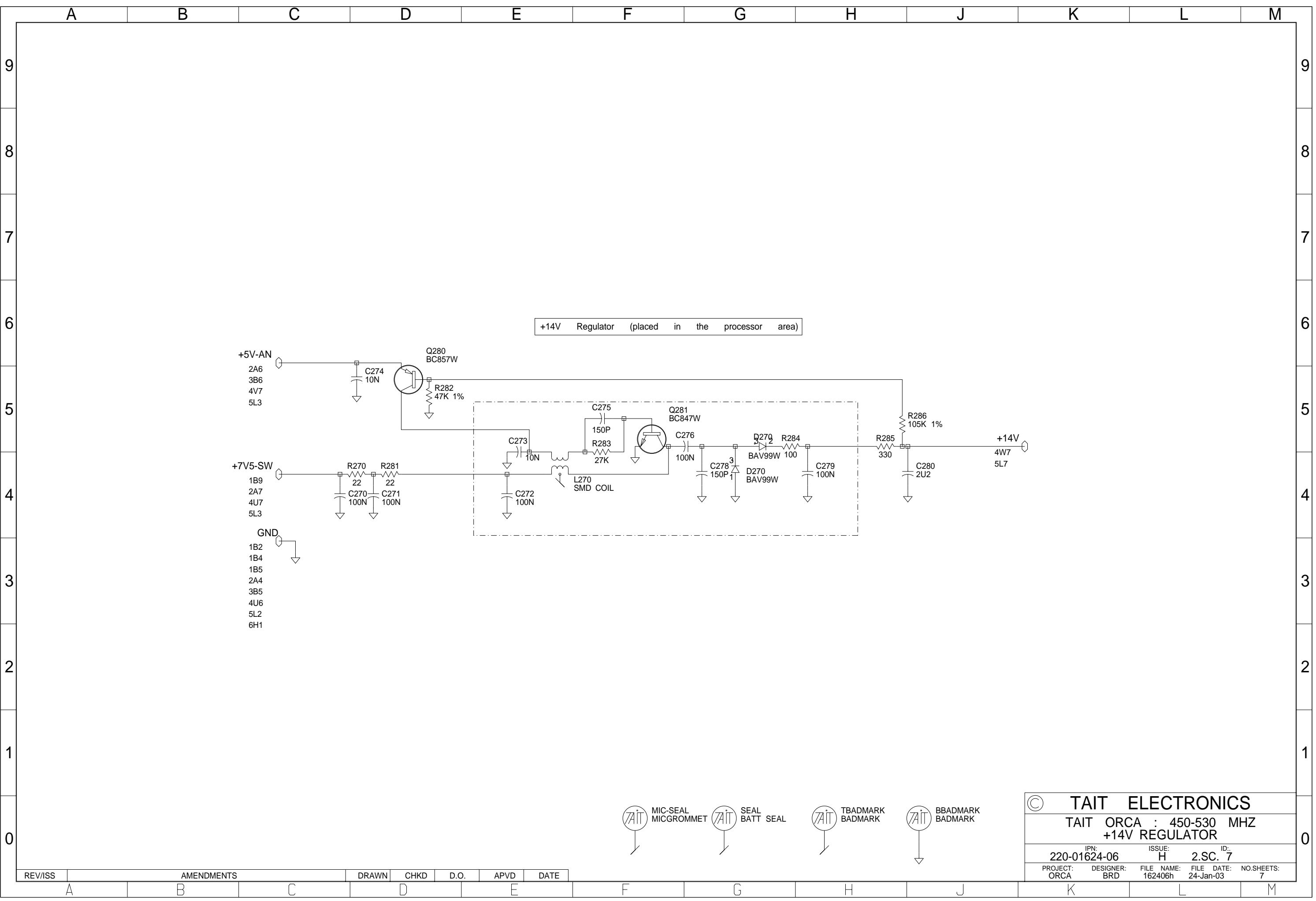
- 2A6
- 3B6
- 4V7
- 7C6
- 4U7
- 7C4
- GND
- 1B2
- 1B4
- 1B5
- 2A4
- 3B5
- 4U6
- 6H1
- 7C3



© TAIT ELECTRONICS
 TAIT ORCA : 450-530 MHZ
 VCO

IPN: 220-01624-06	ISSUE: H	ID: 2.S.C. 6
PROJECT: ORCA	DESIGNER: BRD	FILE NAME: 162406h
	FILE DATE: 24-Jan-03	NO.SHEETS: 7

REV/ISS	AMENDMENTS	DRAWN	CHKD	D.O.	APVD	DATE



+14V Regulator (placed in the processor area)

+5V-AN
2A6
3B6
4V7
5L3

+7V5-SW
1B9
2A7
4U7
5L3

GND
1B2
1B4
1B5
2A4
3B5
4U6
5L2
6H1

+14V
4W7
5L7

- MIC-SEAL MICGROMMET
- SEAL BATT SEAL
- TBADMARK BADMARK
- BBADMARK BADMARK

TAIT ELECTRONICS				
TAIT ORCA : 450-530 MHZ +14V REGULATOR				
IPN: 220-01624-06	ISSUE: H	ID: 2.SC. 7		
PROJECT: ORCA	DESIGNER: BRD	FILE NAME: 162406h	FILE DATE: 24-Jan-03	NO.SHEETS: 7

REV/ISS	AMENDMENTS	DRAWN	CHKD	D.O.	APVD	DATE